



Transfer/Shipping Isolator

CRL Part # PD-TSI

At left – The Transfer/Shipping Isolator is designed for receiving animals or packing animals from an isolator or barrier room. By using this device the microbiological status of the animals is not altered.



This Isolator is supplied with the following:

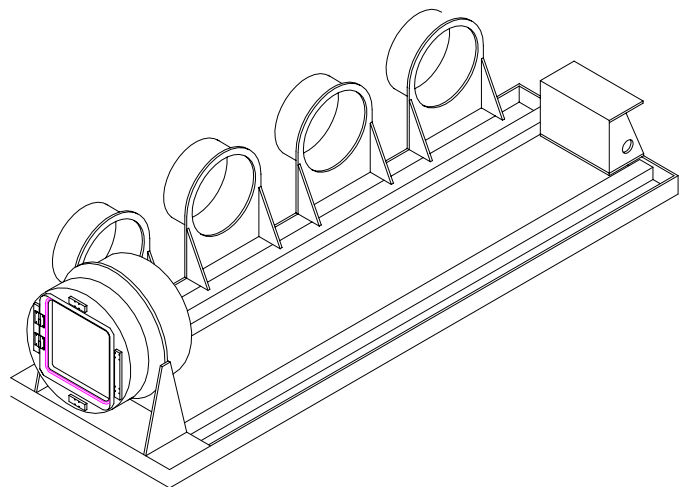
- 1) A segmented polyurethane flexible bag with two sets of access gloves, four 12” capped ports and one 19” diameter hermitically sealed double doored transfer port assembly integrated into the bag walls
- 2) A WPP structural support tray with integral foam cushion
- 3) HEPA filters for supply and exhaust air
- 4) Portable blower unit

At right: - Dimensions:

Height: 41 inches
Length: 96 inches
Width: 30 inches

Transfer/Shipping Flexible Film Isolator

CRL Part # PD-TSI



Transfer/Shipping Isolator



This isolator is used in conjunction with small portable isolators designed for shipment of animals by air freight. The unit consists of a long plastic tray designed to hold a flexible bag with two pairs of integrated gloves attached. A transfer port that is 18 inches in diameter is attached to one end of the bag. The transfer port has an internal port cap held in place by a rubber band that can be manipulated from inside the isolator using the attached gloves. The outer door to the port is hinged and presses up against a gasket to form a seal. The door is pressed and locked in place by a series of four DE-STA-CO clamps that can be released by finger pressure. The door itself is

clear to allow viewing of materials within the chamber.

Four small transfer ports (12 inches in diameter) are attached along one side of the flexible bag. Their interior and exterior surfaces are covered by port caps that are held in place by a rubber band. Specially designed lightweight shippers interface with these ports allowing sterile transfers to occur between the larger shipping isolator and the smaller shipping containers. The shipping isolator can be placed on a wheeled cart and moved to either another isolator or to an 18-inch port door attached to a barrier room or other large structure. Animals can be moved into or out of the larger transfer port for the purposes of either receiving animals or packing animals from an isolator or barrier room. By using this device, the microbiological status of the animals is not altered.

The device requires the use of a portable blower to provide air to the flexible bag and a HEPA filter supply and exhaust which are included with the unit. The necessary fixtures for connecting the filters and blowers are integrated into the bag and supported by a stand at the end of the support plate.

At right – Dimensions:

Height: 41 inches
Length: 96 inches
Width: 30 inches

