

8' SEMI-RIGID ISOLATORS (STACKABLE) PART #A8RUI

Pictured below: one 8' Semi-Rigid Isolator (Stackable).



Capacity

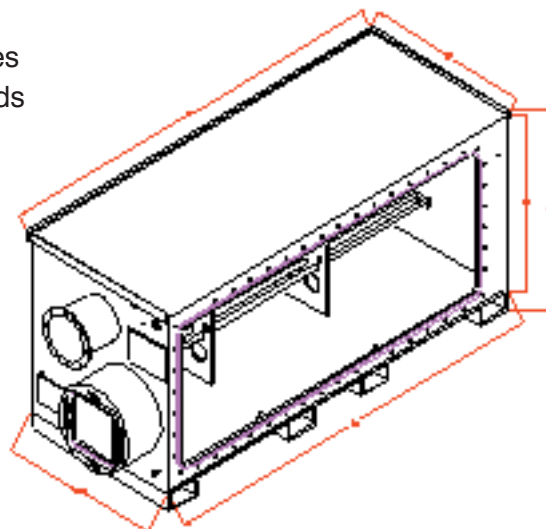
64 mouse cages or 27 rat cages

Each 8' Isolator comes complete with the following:

- 1) A flexible front with three sets of glove sleeves to access animal cages
- 2) Adjustable pipe shelving to accommodate either rat or mouse caging
- 3) One hermetically sealed, double-door, 18" diameter access port
- 4) HEPA filtration for air supply and exhaust
- 5) An internal lighting system separated from the animal space
- 6) Record holder for animal documentation

Dimensions

Height: 47 inches
Length: 96 inches
Width: 38.5 inches
Weight: 435 pounds



8' SEMI-RIGID ISOLATORS (STACKABLE) PART #A8RUI



The 8-foot semi-rigid isolator is designed to accommodate a variety of rat and mouse caging. While it contains many of the operational features of the flexible film isolator, it has only one flexible side constructed of segmented polyurethane with three sets of integrated glove sleeves. This flexible front can be manipulated by firm body pressure to facilitate access to the caging and animals. Large glove sleeve openings allow the operator's arms to pass freely into the gloves. The isolator is supplied with large nitrile gloves that accommodate most hand sizes. Gloves can be changed using a glove sleeve clamp (optional accessory) while the isolator is in operation.

Adjustable pipe racking inside the isolator will hold up to 64 mouse cages or 27 rat cages (optional accessories). A round, 18-inch diameter transfer port is built into one side of the isolator. Interior and exterior hinged, gasketed port doors are held in place by DE-STA-CO clamps that can be operated by finger pressure. The outside door can easily be removed for cleaning or for isolator-to-isolator hookups. The clear plastic doors allow visualization of the contents of the transfer port.

The isolator contains an air supply plenum attached to two supply HEPA filters, allowing connection to either an optional blower or to a central air supply system. Air delivered to the plenum is released through a series of holes along one side wall. The air passes over the cage tops, mixes with the air in the isolator, and exits through a large round HEPA filter mounted in the opposite side wall. A disposable prefilter is fitted over the interior surface of the exhaust HEPA filter to allow regular removal of any accumulated dust or debris, thereby increasing the functional life of the HEPA filter. The HEPA filter assembly is designed to allow changing during operation. The exhaust air can be captured using an optional captive exhaust device connected to an in-house exhaust system, allowing air exiting the isolator to be vented directly out of the room or building.

Each 8-foot isolator is supplied with an internal lighting system that is separated from the animal holding space. This allows the fluorescent bulbs to be changed without altering the microbiological integrity of the isolator. An optional vacuum waste removal port is available to allow removal of soiled bedding using a HEPA filtered vacuum. Several additional ports are available to allow passage of electrical cords and monitoring leads or attachment of magnahelic pressure gauges and other devices to accommodate specific research requirements.

The rigid portions of the isolator body are designed to allow two 8-foot isolators to be stacked one on top of the other. A lip on the top of the isolator prevents them from slipping when they are stacked. The bottom of the isolator is fitted with standard forklift positioning devices to facilitate moving the isolator. An identification card holder and a record book holder are mounted on the rigid portion of the isolator box.